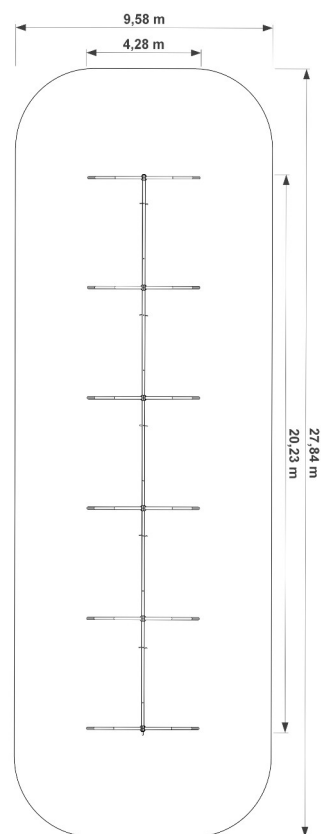
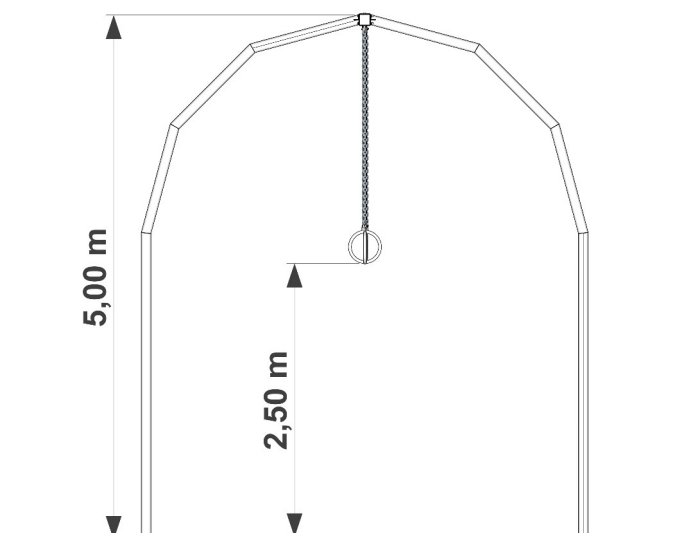


## VISUALISATION



Devices prepared basing on the following standards: PN-EN 16630:2015-06  
Set designed basing on the following standards: PN-EN 16899:2017-02

## PLAN WITH IMPACT AREA AND DIMENSIONS



## DIMENSIONS

Devices dimensions: 20,23 x 4,28 m  
Impact area dimensions: 27,84 x 9,58 m  
Impact area surface: 259,6 m<sup>2</sup>  
Free height of fall: 3,70 m  
Age group: 16+

## TECHNICAL SPECIFICATIONS

Construction: profile dimensions 88.9 x 2.9 mm, powder coated

Wheels: stainless steel

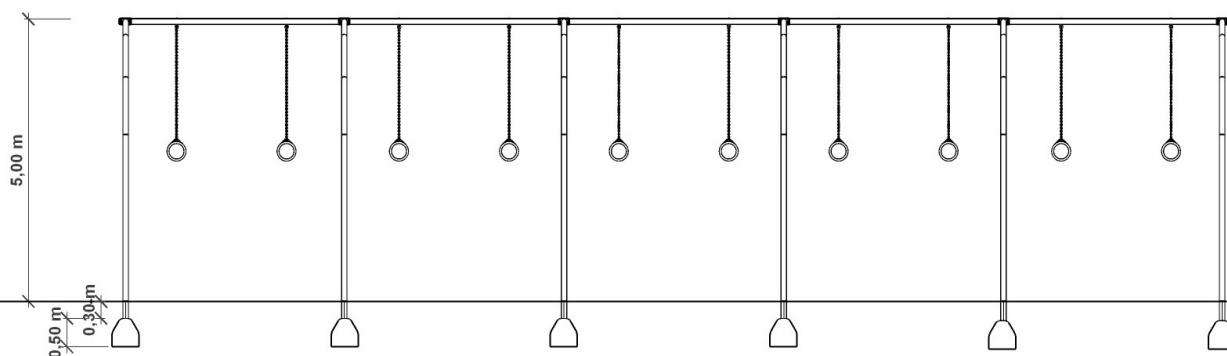
Chain: stainless steel

Connections: stainless steel

To special order we product cross bars made of double layer painted steel or stainless steel

There is option to paint construction on any color from the RAL palette

## FOUNDATION



Each vertical column and steel wall anchor poured with semi-dry concrete C20/25 for 80 cm below ground level. Volume of one footing min. 0,125 m<sup>3</sup> (50x50x50 cm). Foundations are placed 30 cm below ground level, what prevent accidental or purposeful discovery.

## IMPACT ATTENUATING SURFACES

It is required to make one of the impact attenuating surface:

Sand – 0,2 - 2 mm grain size, depth min. 300 mm,

Gravel – 2 - 8 mm grain size, depth min.300 mm,

Bark – 20 - 80 mm particle size, depth min. 300 mm,

Woodchips – 5 - 30 mm particle size, depth min. 300 mm,

Other materials and other depths as tested according to PN-EN 1177:2017